

Part number

# MKA VG20



## Brief description:

Hoods with single lever, size "21.21", top entry, M20, metal version, IP44, IP66/IP67 degree of protection with CKR 65 kit or CKR 65 D kit.

Product description		Approvals / Standards	
Version	Metallic type	Quality mark	SA type: 12, (type 4/4X only with kit CKR 65 or CKR 65 D), ®, EAC
Series	Hoods with 1 lever	Conformity	CQC, CE
Product type	with 1 lever in galvanised steel	<b>General ordering information</b>	
Variant	top entry	EAN13 code	8015747056816
Family	CKA metal enclosures	Tariff number	85369095
Size	size "21.21"	<b>Packaging Information</b>	
Technical data		Packaging length	330,00 mm
Operating temperature range (min, max)	-40°C ... +125°C	Packaging height	170,00 mm
Material	metal	Packaging width	230,00 mm
IP degree of protection	IP44 (IP66/IP67 with CKR 65/CKR 65 D kits)	Packaging weight	3,90 kg
Cable entry	M20	Packaging volume	12,90 dm³
Further technical details		Packaging description	Carton box
Weight	39,00 g	Packaging quantity	100 Pcs
		Packaging EAN code	8015747222273
		Sub-packaging length	100,00 mm
		Sub-packaging height	58,00 mm
		Sub-packaging width	145,00 mm
		Sub-packaging weight	0,39 kg
		Sub-packaging volume	0,84 dm³
		Sub-packaging description	Carton Box
		Sub-packaging quantity	10 Pcs
		Sub-packaging EAN barcode	8015747056823

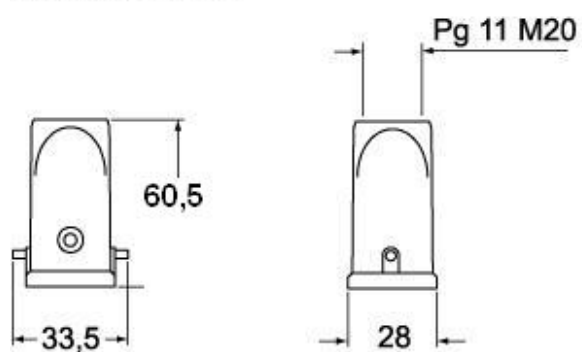
Part number

**MKA VG20**

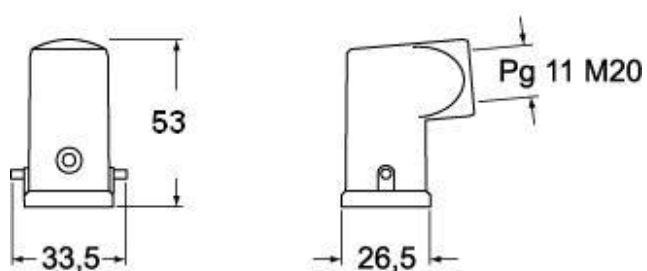


# Catalogue drawings

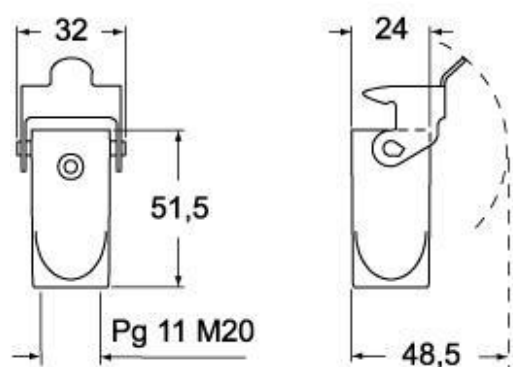
## CKA VS - MKA V



## CKA VAS - MKA VA



## CKA VAS - MKA VA



## CKAX VGS - MKAX VG

